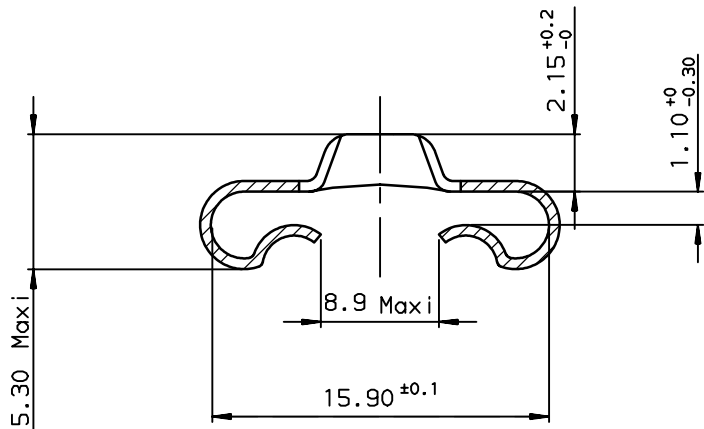
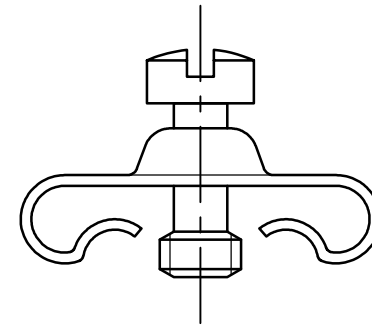


NOTES

Pieces assembly
 Packaging : per 100 pieces
 Material : steel
 Plating : tin lead
 Thread : UNC 4.40

VUE ASSEMBLY



Part number	863003AT
Part number	863003ATLF

European Views

www.fciconnect.com		surface ISO 1302	<input checked="" type="checkbox"/>	tolerance std ISO 406 ISO 1101	projection 	mm
TOLERANCES UNLESS OTHERWISE SPECIFIED						
Dr	BART	2004/02/26	ANGULAR	0.X	±0.1	size A3
Eng	PESSON	2004/02/26	LINEAR	0.XX	±0.1	Scale 5
Chr	LEGARE	2004/02/26	0.XX' ±2'	0.XXX	±0.1	ECN LS06-0097
Appr	LEGARE	2004/02/26	Product family	D-SUB	Spec ref	-
		ETRIER DE FIXATION POUR BOITIER			title 50 pts femelle (S)	dwg no C01-8655-1587
catalog no		-			CUSTOMER	sheet 1 of 1

NOTE:RoHS INFORMATIONS

- The "LF" products meet European union Directives and other country regulations as described in GS-22-008.
- Plating Sn (pure bright) over copper
- Packaging spec: see GS-14-920

rev	ecn no	dr	date
A	-	BAR	2004/02/26
B	LS05-0026	MPE	2005/07/08
C	LS06-0097	LGO	2006/07/28
-	-	-	-
-	-	-	-
-	-	-	-